



# RAA 2019

elegantly designed for elegant applications

## DESCRIPTION

Raa has been designed as compact and stylish track spotlight without making any compromise on its looks. In the front of the powder coated aluminium cylindrical housing is an anti-glare baffle for optical comfort. In the back is a fine stem which tilts the housing and connects to the track adapter.

## LED INFO

The Cree COB modules come in a variety of options of beam angle, output and colour temperature.

## RANGE

Raa comes as a track or ceiling mounted luminaire. The track mounted version has the LED driver integrated in the track, where the ceiling mounted version has the driver remote. The output is either 1300lm (CRI90) or 1400lm (CRI80) in 2700, 3000 and 4000K, all in a spot, medium and flood beam. Standard colours are structural white and black in combination with a white, black or gold baffle. Colours can be easily customized in other RAL combinations, creating playful and colourful details.

## POWER SUPPLY

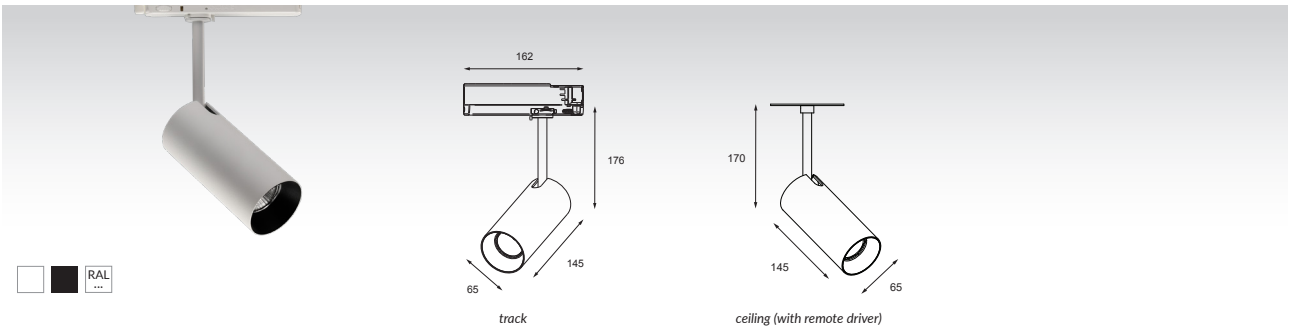
Raa has an integrated LED driver in the track adapter or a remote driver for the ceiling mounted version, available as DALI dimmable as well as non-dimmable.

## INSTALLATION

Track mounted by means of universal 3-phase track adapter. Ceiling mounted version requires an 80mm cut-out and is suitable for ceiling thickness of 1 - 25mm.

## MORE INFORMATION





Product coding

The product code consists of 4 parts:

1. The product family, size and directional feature  
RAA.50.D.TRCK.14A827.S.WH.D.BB
2. The Light engine, lumens, generation, colour, beam, colour of the ring and type of LED driver control  
RAA.50.D.TRCK.14A827.S.WH.D.BB
3. The driver and controls  
RAA.50.D.TRCK.14A827.S.WH.D.BB
4. Optional Accessories, like a baffle, honeycomb, glass, etc.  
RAA.50.D.TRCK.14A827.S.WH.D.BB

Product	Size	Type	Mounting	Code
RAA	50mm	directional	track	RAA.50.D.TRCK
			ceiling	RAA.50.D.CEIL

1400lm / CRI 80	lumens (system)	W (system)	lm/W (system)	CRI	CCT	add to Code		
						White structure	Black structure	
	1310lm	14W	94lm/W	>80	2700K	.14A827.S.WH	.14A827.S.BL	
	1310lm	14W	94lm/W	>80	3000K	spot / 20°	.14A830.S.WH	.14A830.S.BL
	1410lm	14W	101lm/W	>80	4000K		.14A840.S.WH	.14A840.S.BL
	1340lm	14W	96lm/W	>80	2700K		.14A827.M.WH	.14A827.M.BL
	1340lm	14W	96lm/W	>80	3000K	medium / 40°	.14A830.M.WH	.14A830.M.BL
	1440lm	14W	103lm/W	>80	4000K		.14A840.M.WH	.14A840.M.BL
	1290lm	14W	92lm/W	>80	2700K		.14A827.F.WH	.14A827.F.BL
	1290lm	14W	92lm/W	>80	3000K	flood / 60°	.14A830.F.WH	.14A830.F.BL
	1390lm	14W	99lm/W	>80	4000K		.14A840.F.WH	.14A840.F.BL

1300lm / CRI 90	lumens (system)	W (system)	lm/W (system)	CRI	CCT	add to Code		
						White structure	Black structure	
	925lm	14W	66lm/W	>90	2700K	.13A927.S.WH	.13A927.S.BL	
	1140lm	14W	81lm/W	>90	3000K BBBL	spot / 20°	.13A930.S.WH	.13A930.S.BL
	1230lm	14W	88lm/W	>90	4000K		.13A940.S.WH	.13A940.S.BL
	940lm	14W	67lm/W	>90	2700K		.13A927.M.WH	.13A927.M.BL
	1160lm	14W	83lm/W	>90	3000K BBBL	medium / 40°	.13A930.M.WH	.13A930.M.BL
	1250lm	14W	89lm/W	>90	4000K		.13A940.M.WH	.13A940.M.BL
	910lm	14W	65lm/W	>90	2700K		.13A927.F.WH	.13A927.F.BL
	1120lm	14W	80lm/W	>90	3000K BBBL	flood / 60°	.13A930.F.WH	.13A930.F.BL
	1200lm	14W	86lm/W	>90	4000K		.13A940.F.WH	.13A940.F.BL

Driver type	add to Code
fixed output	.F
DALI	.D

Baffle / accessories	add to Code		
	white	black	gold
Baffle	.BW	.BB	.BG



Honeycomb filter (optional) .HC

